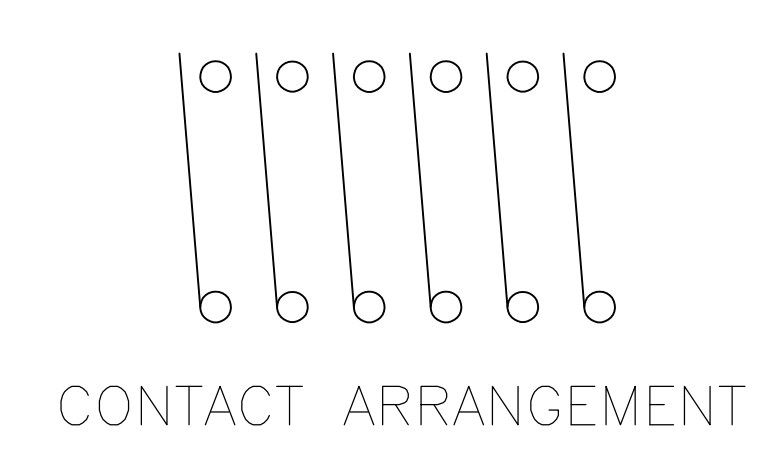
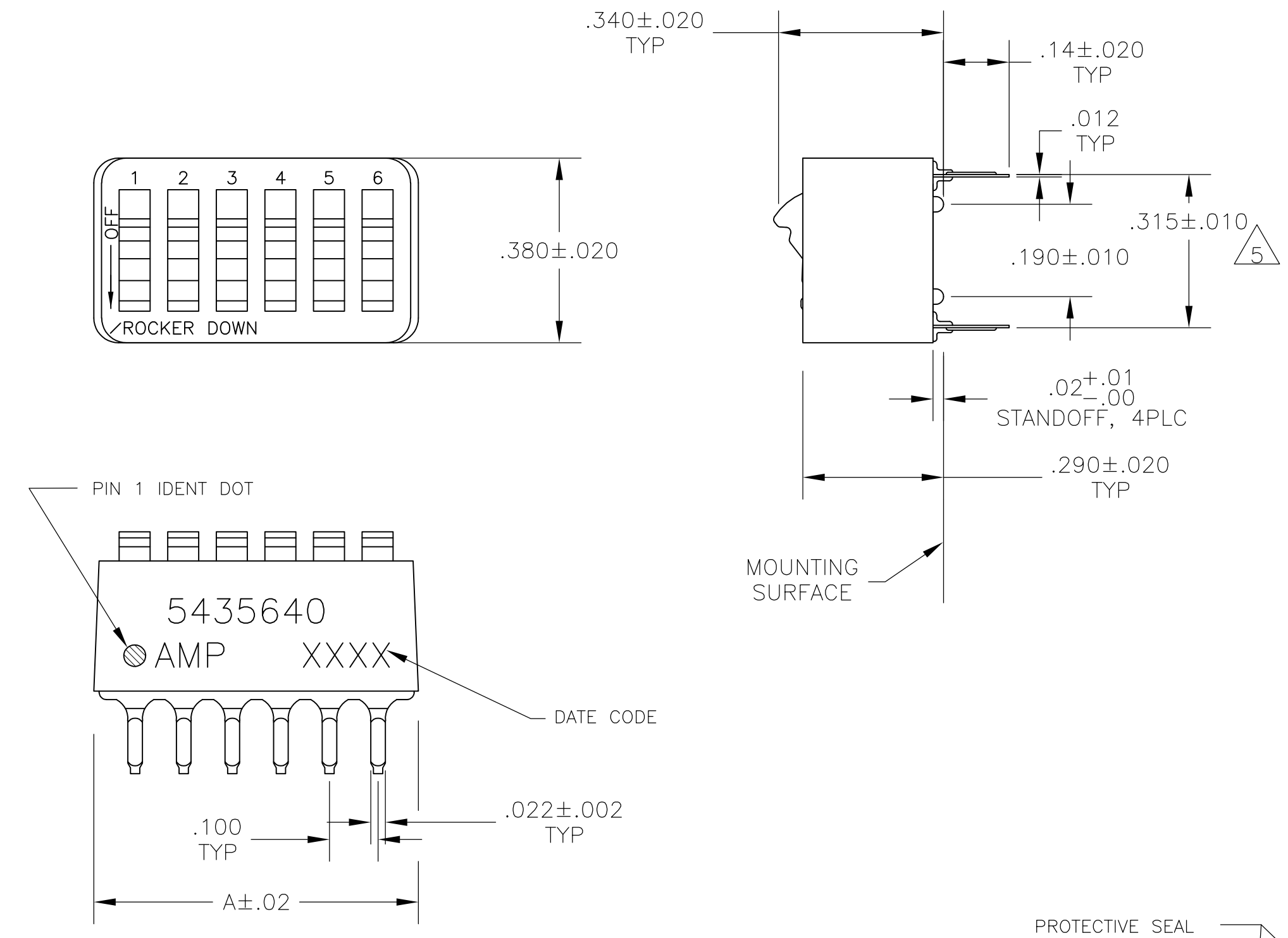


LOC		DIST		REVISIONS			
P	LTR	DATE	DESCRIPTION	DATE	DWN	APVD	
B2	REVISED PER ECO-11-004587	11MAR11			RK	HMR	



- FOR ADDITIONAL SPECIFICATIONS SEE AMP PRODUCT SPEC 108-7532.
- SWITCH SHOWN IN OPEN POSITION.
- ALL CHARACTERS AND ROCKERS ARE WHITE, HOUSING IS BLUE.
- STAMPING WILL VARY ON 2 AND 3 POSITION SIDES DUE TO SPACE RESTRICTIONS.
- .315 DIMENSION APPLIES AT TERMINAL TIPS. TERMINALS ARE .300+.010 -.000 AT MOUNTING SURFACE.
- STRIPPABLE TRANSPARENT SEAL, SEE FIG 1.
- STRIPPABLE TRANSPARENT SEAL, SEE FIG 1.
- MATERIAL: HOUSING & ROCKERS- POLYESTER CONTACTS & SOLDER LEAD-COPPER ALLOY
- FINISH: CONTACTS- GOLD OVER NICKEL SOLDER LEAD- TIN OVER NICKEL
- ALL MATERIALS AND FINISHES SHALL COMPLY WITH EU DIRECTIVE 2002 /95/EC OF 27JAN2003(ROHS).
- OBsolete PARTS: OBSOLETE CIS STREAMLINING PER D.RENAUD/D.SINISI

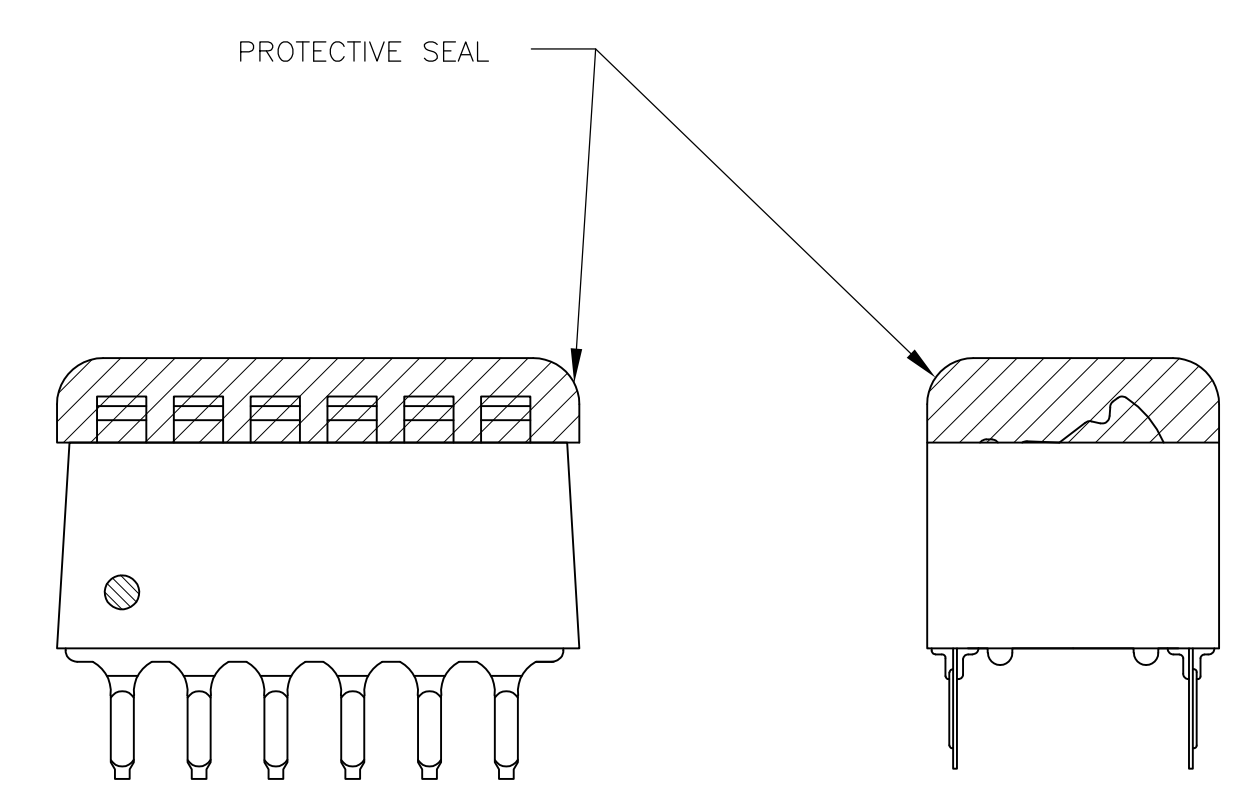


FIG 1

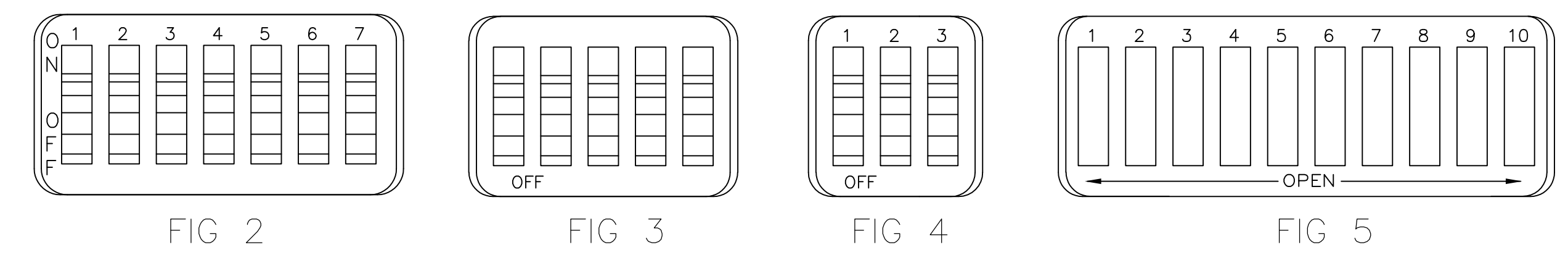


FIG 2

FIG 3

FIG 4

FIG 5

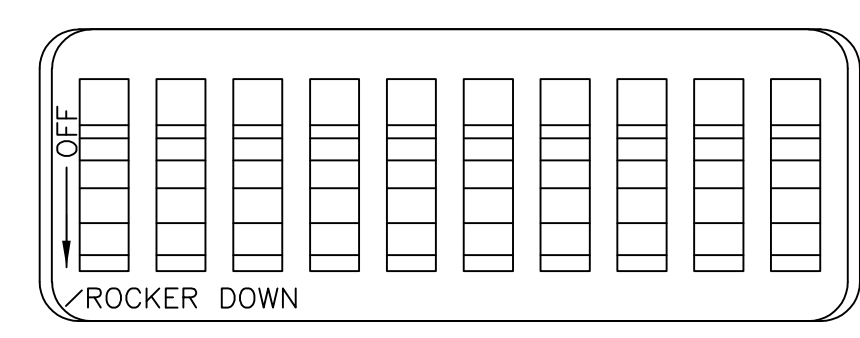


FIG 6

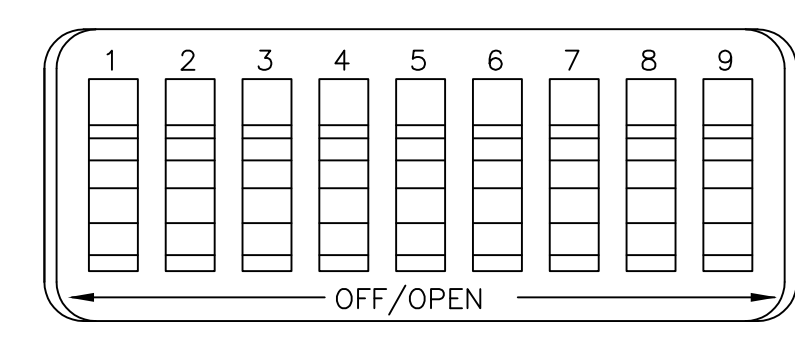


FIG 7

FIG	INCHES	NO OF POSN	PART NO.	
OBSOLETE	FIG 6	1.08	10	-6-5435640-1
	FIG 7	.58	5	-6-5435640-0
		.48	4	-5-5435640-9
OBSOLETE	FIG 5	.88	8	5-5435640-8
		.98	9	5-5435640-7
	FIG 2	.68	6	-5-5435640-6
		.58	5	-5-5435640-5
		.48	4	5-5435640-4
OBSOLETE	FIG 3	.88	8	5-5435640-3
		.58	5	4-5435640-8
	NONE	1.08	10	4-5435640-7
AS SHOWN	FIG 4	1.28	12	4-5435640-3
		1.08	10	4-5435640-1
		.98	9	4-5435640-0
		.88	8	3-5435640-9
		.78	7	3-5435640-8
		.68	6	3-5435640-7
		.58	5	3-5435640-6
		.48	4	3-5435640-5
		1.28	12	3-5435640-2
		.38	3	3-5435640-0
AS SHOWN	FIG 4	.28	2	2-5435640-9
		1.08	10	5435640-7
		.98	9	5435640-6
		.88	8	5435640-5
		.68	6	5435640-4
		.58	5	5435640-3
.48	4	5435640-2		
.78	7	5435640-1		
TOP MARKING	A	NO OF POSN	PART NO.	

THIS DRAWING IS A CONTROLLED DOCUMENT.

STE TE Connectivity

SWITCH ASSY, DIP, TYPE C, 7100 SERIES, SPST, STANDARD

00779 5435640

SCALE 4:1 SHEET 1 OF 1 REV B2